

DISTRICT OF COLUMBIA
WATER AND SEWER AUTHORITY

W-10-01
2 OF 3

PIPE DIAMETER	SHOULDER EXCAVATION	ADJUSTED EXCAVATION
3"	2" - 10"	2" - 4"
4"	2" - 8"	2" - 4"
6"	2" - 8"	2" - 4"
8"	2" - 8"	2" - 4"
10"	2" - 8"	2" - 4"
12"	2" - 8"	2" - 4"
14"	2" - 8"	2" - 4"
16"	2" - 8"	2" - 4"
18"	2" - 8"	2" - 4"
20"	2" - 8"	2" - 4"
24"	2" - 8"	2" - 4"
30"	2" - 8"	2" - 4"
36"	2" - 8"	2" - 4"
42"	2" - 8"	2" - 4"
48"	2" - 8"	2" - 4"

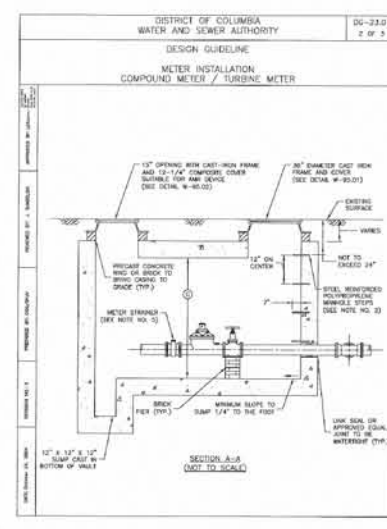
STANDARD DETAIL
DUCTILE IRON WATER MAIN
TRENCH LAYING CONDITION TYPE 2A
(TRENCH INSTALLATION)

DISTRICT OF COLUMBIA
WATER AND SEWER AUTHORITY

W-10-01
2 OF 2

DIAMETER OF TEE OR PIPE (IN)	BRAND	TYPE	W	H	W'	H'	S	REAR (C-W)
12"	12"	12"	12"	12"	12"	12"	12"	12"
14"	14"	14"	14"	14"	14"	14"	14"	14"
16"	16"	16"	16"	16"	16"	16"	16"	16"
18"	18"	18"	18"	18"	18"	18"	18"	18"
20"	20"	20"	20"	20"	20"	20"	20"	20"
24"	24"	24"	24"	24"	24"	24"	24"	24"
30"	30"	30"	30"	30"	30"	30"	30"	30"
36"	36"	36"	36"	36"	36"	36"	36"	36"
42"	42"	42"	42"	42"	42"	42"	42"	42"
48"	48"	48"	48"	48"	48"	48"	48"	48"

STANDARD DETAIL
CONCRETE TRENCH BLOCK
FOR HORIZONTAL PIPE BEND & TEE
FOR 12" DIAMETER & SMALLER WATER MAINS

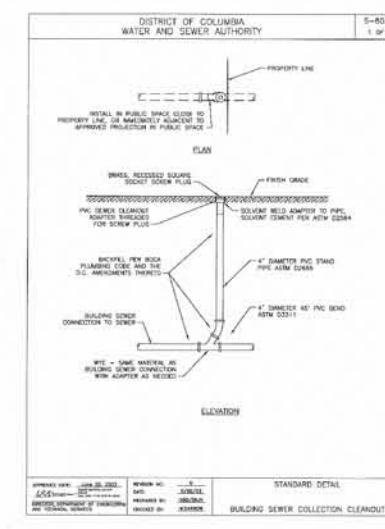
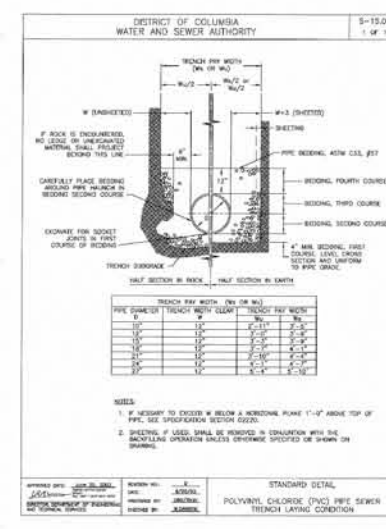
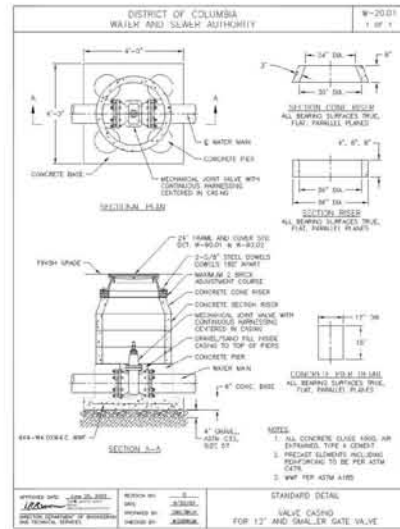
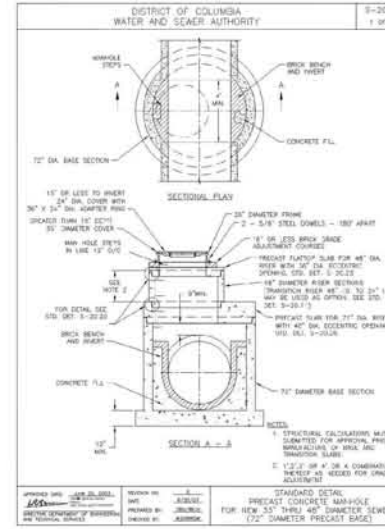


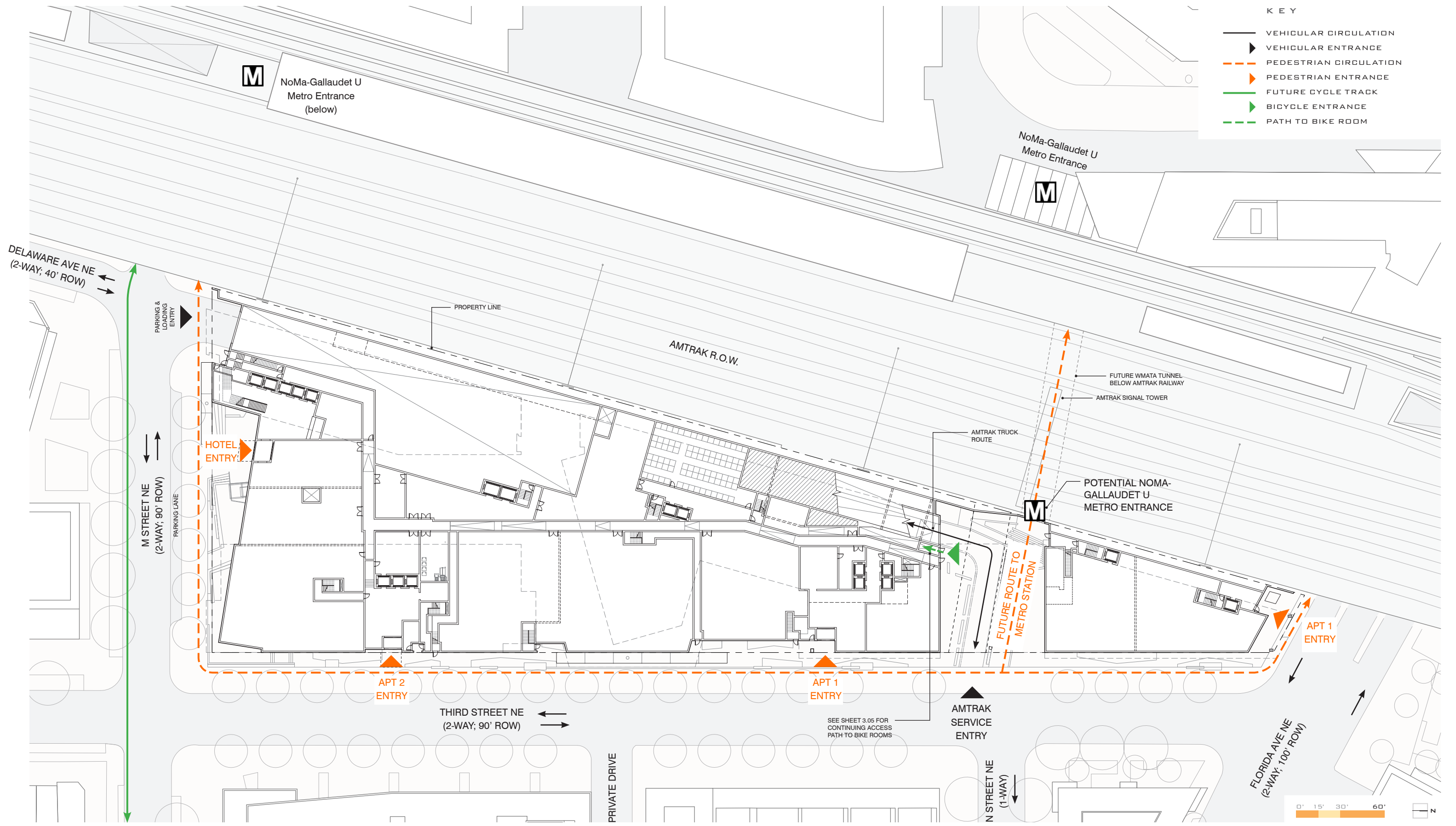
DISTRICT OF COLUMBIA
WATER AND SEWER AUTHORITY

5-12-01
2 OF 2

PIPE DIAMETER	PIPE BENDING DIMENSION	TRENCH FAY WOOD
12"	12"	12"
14"	14"	14"
16"	16"	16"
18"	18"	18"
20"	20"	20"
24"	24"	24"
30"	30"	30"
36"	36"	36"
42"	42"	42"
48"	48"	48"

STANDARD DETAIL
CONCRETE PIPE SEWER
TRENCH LAYING CONDITION





1200 THIRD STREET, NE

PUD SUBMISSION

shalom baranes associates architects

